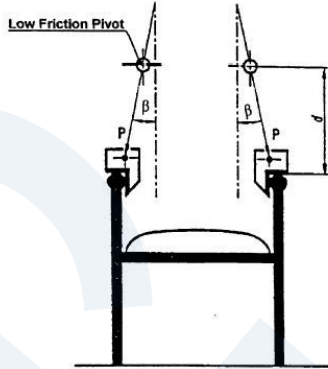


Product Presentation



Application

The tester tests the strength and durability of the handrails, seats, or other parts by simulating the loading of the seats during routine use.

The machine is equipped with two drive units, and can be individually controlled to repeatedly load the test points of the seat. Through different parameter settings, the machine can complete the following types of test functions on the seat:

1. Armrests Vertical static load test;
2. 10o angle handrail durability test;
3. Seat front edge static load and durability tests;
4. Vertical static load test on backrests;
5. Foot rest static load and durability testing;
6. Leg rest static load test;
7. Armrest upward static load test (need to tie the weight test);
8. WordPad vertical static load and durability test.



Feature

1. The main structure of the machine is made of aluminum, beautiful and easy to maintain.
2. Servo motor drive, test load control more accurate, and the noise is even smaller.
3. sing PLC touch screen control, operation more convenient.
4. In addition, the machine loading device using electric control movements, more extensive test space.



Standards

EN 1728-2012 Section 6.6,6.8, 6.9, 6.11, 6.12, 6.13,6.14, 6.18,6.20, 6.21 ,6.22, 7.4, 7.5, 7.6, 7.8, 7.10 , 7.12
 EN1335-3 -2009 Section 7.2.1, 7.2.3, 7.2.4, 7.2.6, 7.3.2,7.3.4,
 EN 1729-2-2012 Section 5.3.4, 5.3.9,5.3.11, 5.3.12
 EN581-2-2015 (corresponding with EN1728-2012),
 ISO 7173-1989 Section 7.1, 7.4
 GB/T 10357.3 Section 4.3.3, 4.4, 4.6, 4.9,
 QB/T 2280-2007 Section 6.6.5, (6.6.13.2 Load pad(optional accessory) is required)
 BIFMA X5.1 - 2011 Section 21, (11.4,19, 20, 23,24 Load pad(optional accessory) is required)
 EN 16139-2013 (corresponding with EN1728-2012)
 BS5459-2-2000 Section A5.5, A7.3

Key Specification

Model	GT-LB03S
Load capacity	2000N
Force device stroke	0-80cm
Stroke range	60-160cm
Load Angle	0~10° (The angle to the vertical is adjustable)
Test speed	5~40 times/min
Testing time	0-99999 (can be adjustment)
Control method	PLC control
Dimension(WxDxH)	150×150×190cm
Weight	350kg
Power	1 φ , AC 220V 50Hz



Accessories

Standard Accessories	1 pc	GT-LB01-2A Seat loading pad
	2 pcs	GT-LB01-3 Smaller seat loading pad
	2 pcs	GT-LB01-5 Local loading pad
	2 pcs	Arm rest loading pad
	1 pc	Stationary fixture
	2 pcs	Stops
Optional Accessories	1 pc	GT-LB01-1A Loading point template
	2 pcs	GT-LB01-8 203mm loading pad (BIFMA X5.1-11.4, 23,24)
	2 pcs	GT-LB01-9 BIFMA102&50mm loading pad(BIFMA X5.1-19,20)

